



## GENERAL

- At the time of manufacture, siding meets or exceeds the performance standards set forth in ICC-ES-AC321 and has achieved code recognition under ESR-1301, CCNC 11826, APA recognition under PR-N124, and HUD recognition under HUD-MR-1318. For copies of ESR-1301, call LP Customer Support at 1-800-648-6893 or go online at [http://www.ice-es.org/reports/pdf\\_files/ICC-ES/ESR-1301.pdf](http://www.ice-es.org/reports/pdf_files/ICC-ES/ESR-1301.pdf) or <http://www.apawood.org>.
- Precision Series panel siding with SILVERTECH or SMARTFINISH is specifically for sheds and other outdoor structures where the interior wall cavities will remain permanently exposed.
- Minimum 6 in. clearance must be maintained between siding and finish grade.
- Siding applied adjacent to porches, patios, walks, etc. must have a clearance of at least 1 in. mm above any surface.
- Minimum 1 in. clearance at intersection with roof line
- Apply siding in a manner that prevents moisture intrusion and water buildup.
- All exposed wood substrate must be sealed in a manner that prevents moisture intrusion and water buildup.
- LP does not recommend LP SmartSide Panel for use in ICF and SIP assemblies. If used, LP will not warrant for Buckling and Shrinkage. However, balance of warranty does remain intact.
- DO NOT USE STAPLES
- SIDING MUST NOT BE IN DIRECT CONTACT WITH MASONRY, CONCRETE, BRICK, STONE, STUCCO OR MORTAR.

## STORAGE

- Store off the ground well supported, on a flat surface, under a roof or separate waterproof covering
- Keep siding clean and dry. Inspect prior to application.

## STUD SPACING

- Precision 38 and 76 Series panel siding must be installed on 16 in. O.C. framing only. When installing on 24 in. O.C. framing, Precision Series 190 Series panel siding is required.
- In all installations over masonry or concrete walls, the wall shall be furred out and open at the top and bottom of the wall to allow for convective ventilation between framing spaced 16 in. O.C. The framing shall be of adequate thickness to accept 1-1/2 inches of nail penetration. A properly installed breathable water-resistant barrier is required between the siding and masonry or concrete walls.

## MOISTURE

- Moisture control and water vapor control are critical elements of proper housing design. Check your local building codes for application procedures for handling moisture and water vapor in your area.
- When using wet blown cellulose insulation, the insulation must not be in direct contact with the siding and it must be allowed to dry a minimum of 24 hours or longer if specified by the insulation manufacturer.
- As with all wood products, do not apply engineered wood siding to a structure having excessive moisture conditions such as drying concrete, plaster or wet blown cellulose insulation. If such conditions exist, the building should be well ventilated to allow it to dry prior to the application of the siding.
- Siding must not be applied to green or crooked structural framing members. Do not apply siding over rain-soaked or buckled sheathing materials.
- Gutters are recommended for control of roof water run off.

## SECONDARY WATER-RESISTANT BARRIER

- A properly installed breathable water-resistive barrier is required behind the siding. Consult your local building code for details.
- LP will assume no responsibility for water penetration.
- Precision Series panel siding with SILVERTECH or SMARTFINISH does not require a secondary water-resistant barrier. Limited to sheds and other outdoor structures.

## GAPS & SEALANTS

- Seal all gaps with a high-quality, non-hardening, paintable sealant. Follow the sealant manufacturer's instructions for application.
- Use a high-quality exterior sealant meeting the ASTM C920, minimum Class 25 sealant.

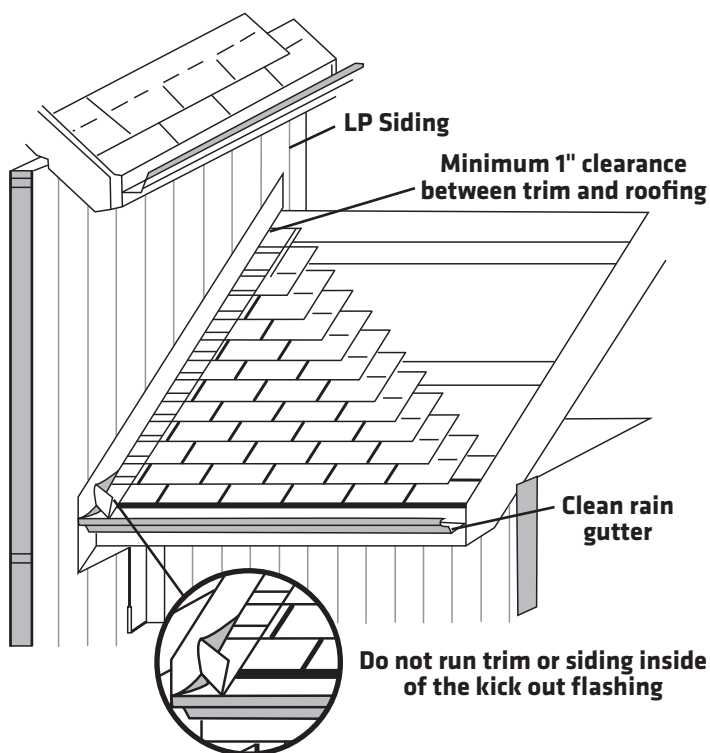
## FLASHING, WINDOWS, DOORS & OPENINGS

- All openings must be properly sealed or flashed in a manner that prevents moisture intrusion or buildup. Several examples that accomplish this are shown on the following pages.

## Application instructions (cont.)

### KICK-OUT FLASHING

- Install kick-out flashing to direct the water into the gutter
- Install step flashing with minimum 4 in. upper leg
- Properly integrate flashing with the secondary water-resistive barrier. Use housewrap, flashing tape, z-flashing, or other items as needed to maintain the counterflashing principle.
- DO NOT extend the siding or trim into the kick-out flashing or gutter
- Maintain a clearance between the end of the gutter and the adjoining wall to allow for proper maintenance of the siding
- Prime and paint ALL exposed cut edges



### TRIM

Trim should be thick enough so the siding does not extend beyond the face of the trim.

- Trim and fascia must be applied in a manner that will not allow moisture intrusion or water buildup.
- LP® SmartSide® siding is not designed and/or manufactured to be used as trim or fascia. LP SmartSide trim and fascia are available in a variety of dimensions.

### FINISHING INSTRUCTIONS

#### DO

- Prime and paint all exposed surfaces including all drip edges or where water will hang.
- Apply finish coat as soon as possible or within 180 days of application.

- High-quality acrylic latex paint, specially formulated for use on wood and engineered wood substrates, is highly recommended. Semi-gloss or satin finish oil or alkyd paints are acceptable. For flat alkyd paint, please check with the coating manufacturer for their recommendations for use on composite wood siding.
- Follow the coating manufacturer's application and maintenance instructions.

#### DO NOT USE

- Semi-transparent and transparent stains.
- Shake and shingle paints.
- Vinyl-based resin formulas such as vinyl acetate, PVA, vinyl acetate/acrylic copolymer paints.

**HANDLE PREFINISHED LP SMARTSIDE PRODUCTS WITH EXTREME CARE DURING STORAGE AND APPLICATION. TOUCH UP ANY DAMAGE TO THE FINISH THAT MAY OCCUR DURING APPLICATION PER PREFINISHERS SPECIFICATIONS.**

### NAILING INSTRUCTIONS

- In braced wall assemblies, use minimum 6d (0.113 in. shank diameter, 0.270 head diameter), hot-dipped galvanized nails for 38 and 76 Series panels and minimum 8d (0.131 in. shank diameter, 0.290 head diameter) for 190 Series panels. Do not use electroplated fasteners. Refer to your local building code to verify the minimum allowable fastener size.
- Penetrate structural framing or wood structural panels and structural framing a minimum of 1-1/2 in.
- For 38 Series panels, double nailing procedure meets wall bracing requirements and  $\frac{5}{16}$  in. shear wall design values.

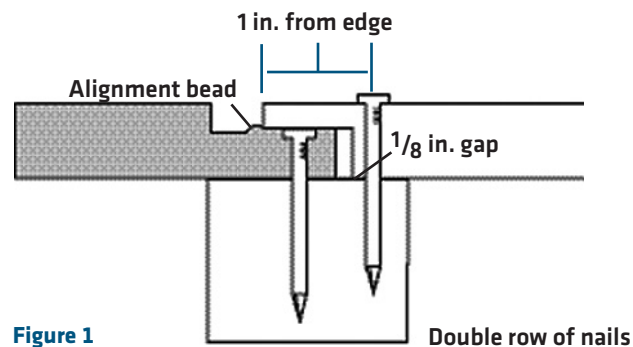


Figure 1

- For 76 and 190 Series panels, single nailing meets wall bracing requirements. To meet the equivalent  $\frac{3}{8}$  in. shear wall design values, double nailing procedures must be used. It may be necessary to angle drive the second nail in order to penetrate the framing. Seal nails driven below the surface.

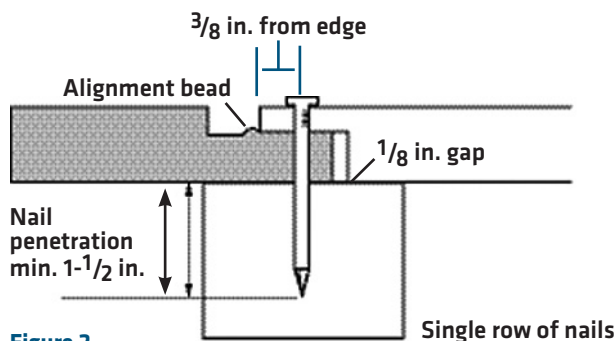


Figure 2

# Application instructions (cont.)

- Shear values for panels applied directly to studs shall be no greater than noted in Table 1 of the ICC-ES Report ESR-1301 or Table 1 of APA PR-N 124.
- **Not warranted for application on SIP and ICF assemblies.**

## CAUTION

- 38 and 76 Series panels must be installed on 16 in. O.C. framing only. When installing on 24 in. O.C. framing, 190 Series panels are required.
- Backside of panel must not come in contact with masonry or concrete foundation.
- Do not force siding into place. Maintain the illustrated  $\frac{1}{8}$  in. space behind the joint to allow for expansion while the panel equilibrates with the local environment.
- LP® SmartSide® Panel siding must not be attached by stapling.
- **DO NOT INSTALL OVER ALIGNMENT BEAD.** Install panels in light contact to the edge of alignment bead. (see Figure 1 and Figure 2)
- Climb cut the surface of the siding such that the rotation of the blade cuts downward on the primed or prefinished surface.
- Where siding butts window trim, door casings and masonry, etc. leave a  $\frac{3}{16}$  in. gap and seal.

## Insulated Sheathings

LP SmartSide Siding may be installed over low-compression rigid foam or exterior gypsum. The following precautions must be followed:

- Adequate bracing of the wall in accordance with the International Codes or other ruling building code is required.
- For rigid foam sheathing up to 1" (25.4 mm) thick, siding may be nailed directly to the foam sheathing unless a drainage plane is required by the local building code. Nail length must be increased to ensure a minimum 1-1/2" (38.1 mm) fastener penetration into the structural framing.
- For rigid foam sheathing greater than 1 in. (25.4 mm), a minimum 1-1/2 in. (38.1 mm) thick by 3-1/2 in. (88.9 mm) wide vertical strapping or furring strip must be installed over the sheathing to provide a solid, level nailing base for the siding. The strapping must be securely fastened to structural framing spaced no greater than 16 in. O.C. (406 mm) with a minimum nail penetration of 1-1/2 in. (38.1 mm) and a maximum nail spacing no greater than the width of the siding.

Louisiana-Pacific will assume no responsibility for any damage or condition arising from the use of rigid foam or exterior gypsum.

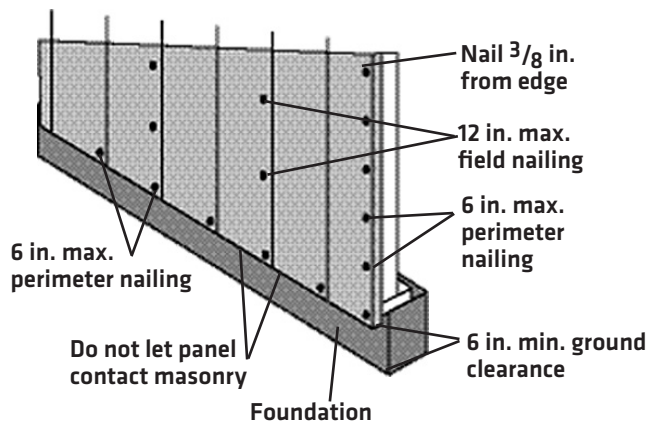


Figure 3

CONDITION		CORRECTION	
Snug		OK	
Flush		OK	
Visible fiber		Paint	
Countersunk $\frac{1}{16}$ - $\frac{1}{8}$ in.		Apply sealant	
Countersunk more than $\frac{1}{8}$ in.		Apply sealant and re-nail	

## 1 IN. ROOF & CHIMNEY CLEARANCE

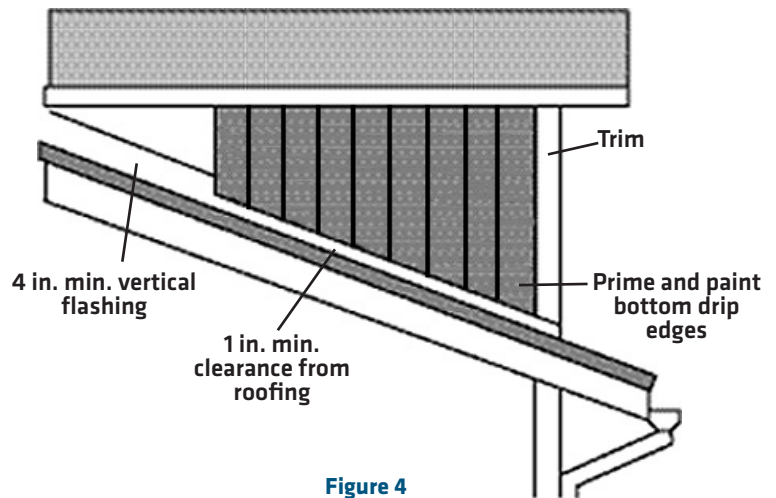


Figure 4

## LP SMARTSIDE PANEL SIDING JOINT DETAILS

### HORIZONTAL WALL JOINTS

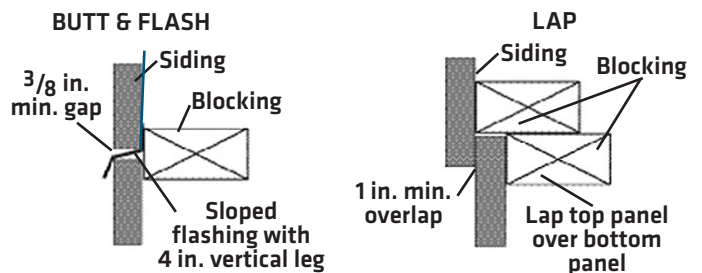


Figure 5A

Figure 5B

### LAPPED HORIZONTAL WALL JOINT

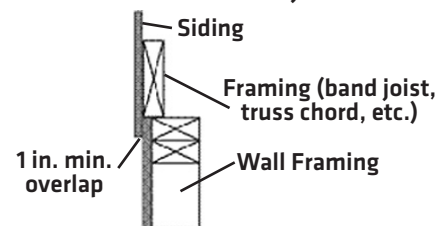


Figure 5C

## LP SMARTSIDE PANEL SIDING JOINT DETAILS (CONT.)

### HORIZONTAL BELTLINE JOINTS

For multi-story buildings, make provisions at horizontal joints for “setting” shrinkage of framing, especially when applying siding directly to studs.

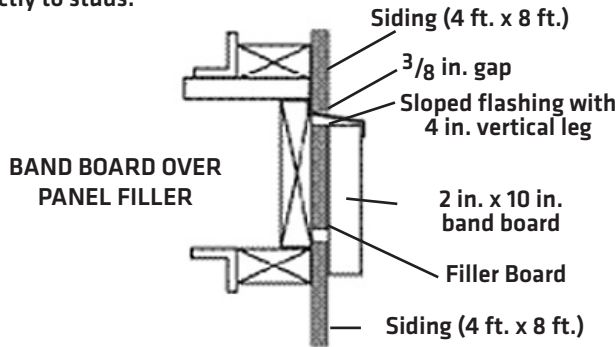


Figure 6

## SIDING MUST NOT CONTACT MASONRY

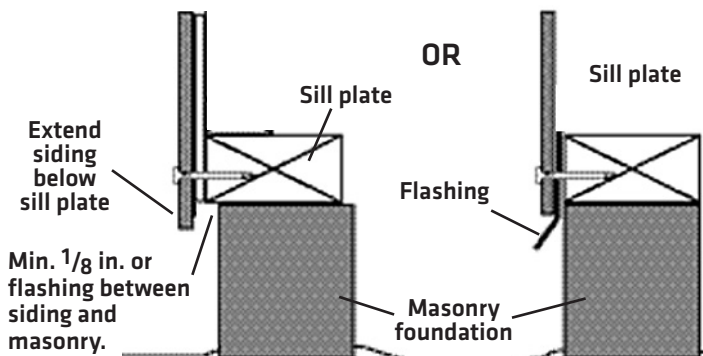


Figure 7A

Figure 7B

## GAP, FLASH DOORS & WINDOWS

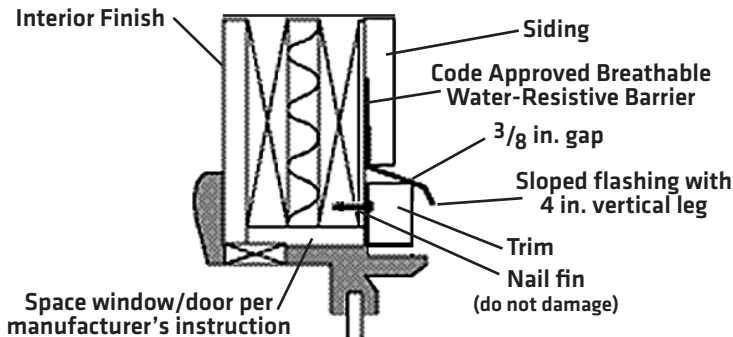
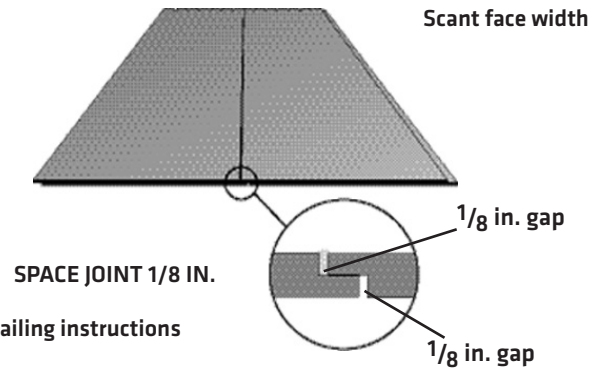


Figure 8

## 4 FT. X 8 FT. UNGROOVED SHIPLAP PANEL

Figure 9



Refer to nailing instructions

LP panel sidings are accepted by the State of California as category 8140- Exterior wall siding and sheathing for Wildland Urban Interface (WUI) applications. For WUI compliance, install LP panel sidings in accordance with Louisiana-Pacific's printed installation instructions with the addition of fire retardant seal (UL Listed fire caulk, nominal 1/4" bead) in the vertical joint and nailing pattern of 3" OC perimeter nailing/8" OC field nailing. Look for the California State Fire Marshal Office label on our siding.

The Louisiana-Pacific Corporation ("LP") LP SmartSide Siding (the "Products") limited warranty (the "Warranty") applies only to structures on which the Products have been applied, finished and maintained in accordance with the published application, finishing and maintenance instructions in effect at the time of application. The failure to follow such application, finishing or maintenance instructions will void the Warranty as to the portion of the Products affected by the variance (the "Affected Products").

LP assumes no liability for any loss or damage sustained by the Affected Products and is expressly released by the purchaser or owner from any such loss or liability.

Any modification of the Warranty's application, finishing or maintenance requirements is void and unenforceable unless approved in writing prior to application by the Siding General Manager or his designee and a member of the LP Legal Department.

For a copy of the warranty or for installation and technical support, visit the LP SmartSide product support Web site at:

[www.lpsmartside.com](http://www.lpsmartside.com)

or for additional support call 800-450-6106.

**WARRANTY REMEDIES ARE NOT AVAILABLE IF REQUIREMENTS ARE NOT FOLLOWED.**

**Cal. Prop 65 Warning: Use of this product may result in exposure to wood dust, known to the State of California to cause cancer.**



©2014 Louisiana-Pacific Corporation. All rights reserved. LP, SmartSide, SilverTech and SmartFinish are registered trademarks of Louisiana-Pacific Corporation. Printed in U.S.A.

NOTE: Louisiana-Pacific Corporation periodically updates and revises its product information. To verify that this version is current, call 800-450-6106.

# alternate inside corner details

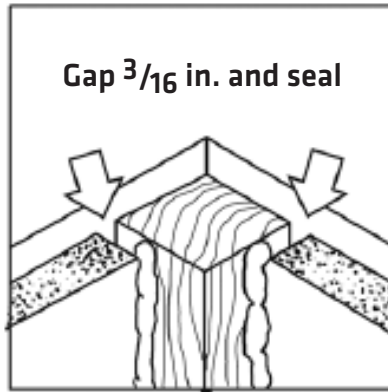


Figure 10A

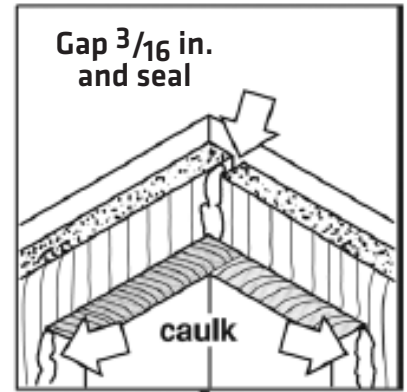
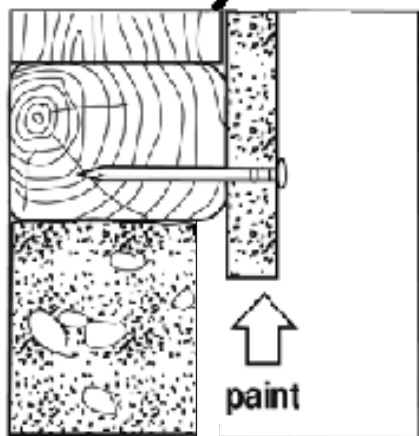
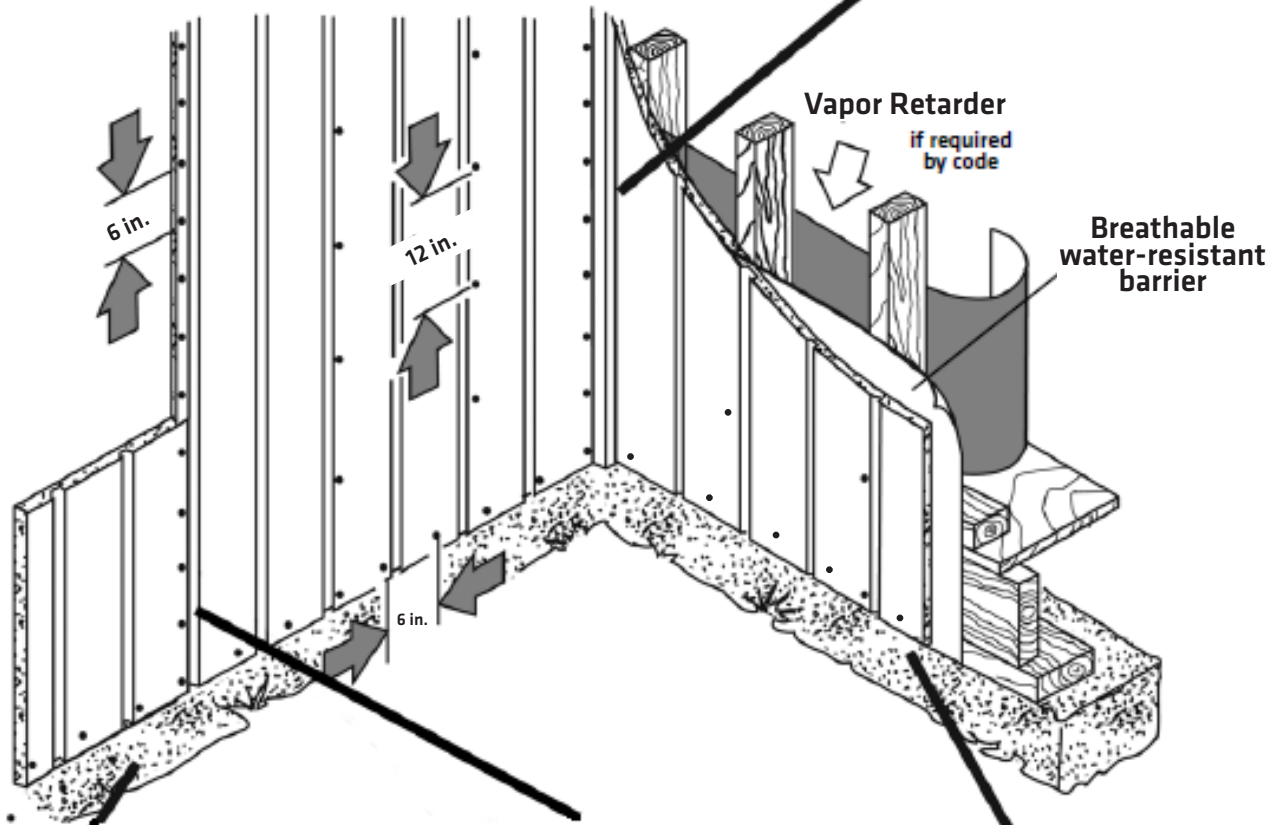


Figure 10B

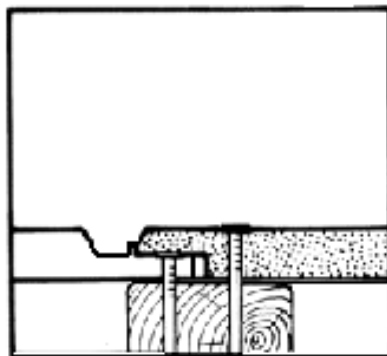
Figure 10



bottom course detail

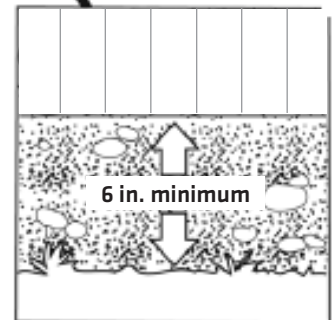
Figure 10E

Shiplap Edge Panel



panel joint

Figure 10D



ground clearance

Figure 10C